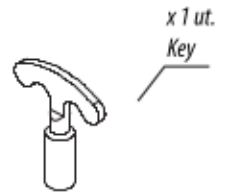
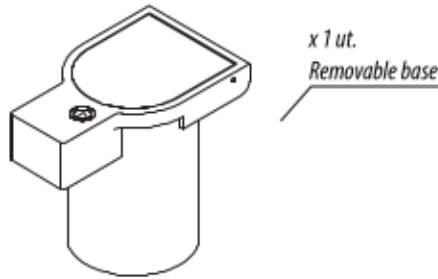
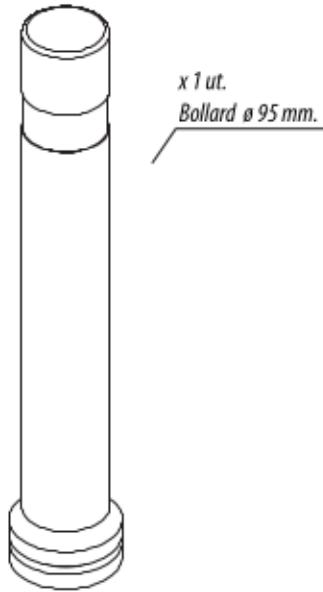


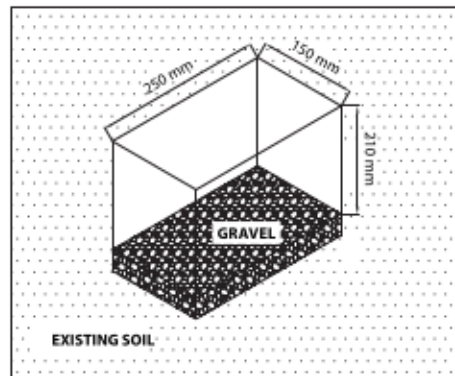
INSTALLATION EXAMPLE

A-FLEX / A-ECO REMOVABLE BASE BOLLARD

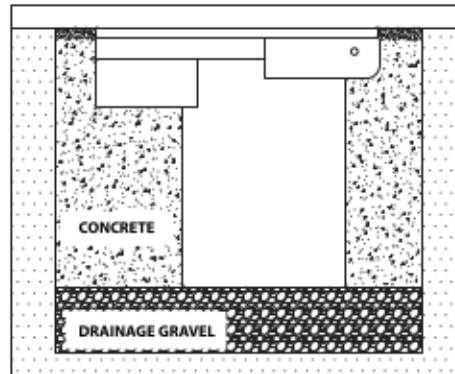
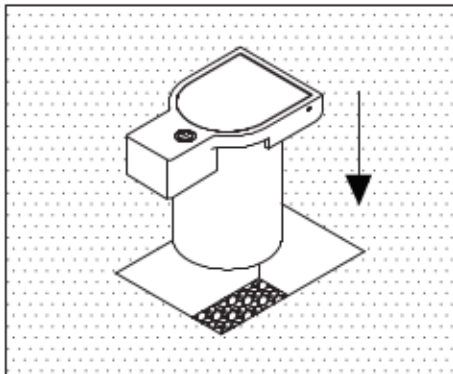
● INCLUDES:



● INSTALLATION:



1. Perform a hole for the bollard installation. Preferably with diamond bit drill, if it is not possible to use jackhammer or rotary. Make a gravel drainage.



3. Fill the hole with concrete.

