

A-ECO



● The **A-Eco semiflexible bollard** is manufactured with a new plastic material that provides a **limited flexibility**. In the case of impact in their point of maximum flexibility, return to its original position without any distortion, if this point of flexibility is exceeded, this bollard return to its original position with a possible distortion in its appearance. This bollard don't break as conventional plastic, iron or cast iron bollards, thus making them a very economical and durable solution.

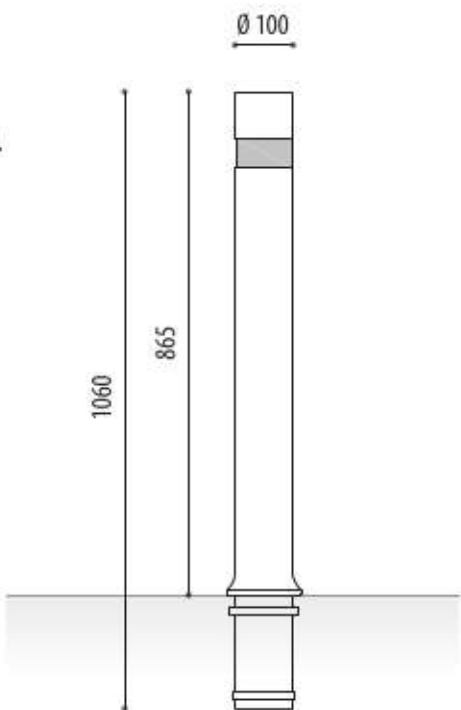
This type or bollards is used to avoid possible damages to people and to get a better look of the installation site.

A-ECO MODELS:

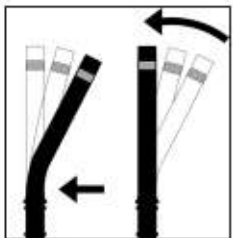
- Black.....	Ref. PECHN
- Green.....	Ref. PECHV
- Red.....	Ref. PECHR
- Yellow.....	Ref. PECHA

Its low cost makes it ideal for new installations and for the replacement of existing broken iron bollards.

- **MEASURES:**
 Diameter: ø 100 mm.
 View height: 865 mm.
 Total height: 1060 mm.



As they have the same appearance of the A-Flex bollards, in the application they can be combined with each other, thus reducing the cost of installation.



Limited flexibility.

SEMIFLEXIBLE BOLLARDS

MODELO PATENTADO
PATENTED MODEL

A-ECO



A-ECO BOLLARDS ADVANTAGES:

- 100 % recyclable.
- Not painted. No rust. Maintenance-free.
- Limited flexibility.
- High resistance to many solvents, oils and greases.
- High resistance to abrasio.
- Pleasant to touch.
- Aesthetically identical to metal bollards.

ADVANTAGES COMPARING TO OTHER BOLLARDS:

Vs bollards made of metal:

- Not rust.
- Less weight.
- Doesn't break on impact, it can't harm people.

Vs bollards made of plastic:

- Doesn't break on impact, it can't harm people.



SEMIFLEXIBLE BOLLARDS

MODELO PATENTADO
PATENTED MODEL

A-ECO

● A-ECO BOLLARDS CERTIFICATES:

1. Certificate Applus IDIADA impact-proof bollard A-Eco head (HIC).



Obtained result in test are less than <650 .
A-Eco is less than 380 (slight rating).

2. Certificate Applus IDIADA impact-proof bollard A-Eco body (AIS).



Obtained results show a level of acceleration of the body which relates with a possibility of suffering from a damage is AIS3 of $<10\%$.

3. Certificate CE.



A-Eco bollards meet the general Directive of products in the European Community according to the norm 2001/95/CE, R.D. 1803/2003.

SEMIFLEXIBLE BOLLARDS

MODELO PATENTADO
PATENTED MODEL

A-ECO LED REMOVABLE



A-eco semi-flexible luminous bollard with LEDs on top with removable plastic base in black, base specially designed for our semi-flexible A-Eco bollard with top cover folding. Simply by inserting a bollard semi-flexible inside the base, you can lock the bollard using a standard triangular key located on the side of the base to lock the lid once closed or to lock the bollard once inserted into the hole.

Bollard that offers great lighting on public roads with very low electrical cost.

Bollard ideal for lighting paths, pedestrian areas, gardens, entrances, parks, ...

STANDARD FINISHES:

Black + white leds Ref. PECOHNLB

Black + red leds Ref. PECOHNLR

+

PLASTIC REMOVABLE BASE:

Black..... BEXTRAP01

OPTIONAL:

- Double reflective strip.
- Possibility of choosing different colors of RGB LEDs.

A-ECO BOLLARDS ADVANTAGES:

- 100 % recyclable.
- Not painted. No rust. Maintenance-free.
- Limited flexibility.
- High resistance to many solvents, oils and greases.
- High resistance to abrasion.
- Pleasant to touch.
- Aesthetically identical to metal bollards.

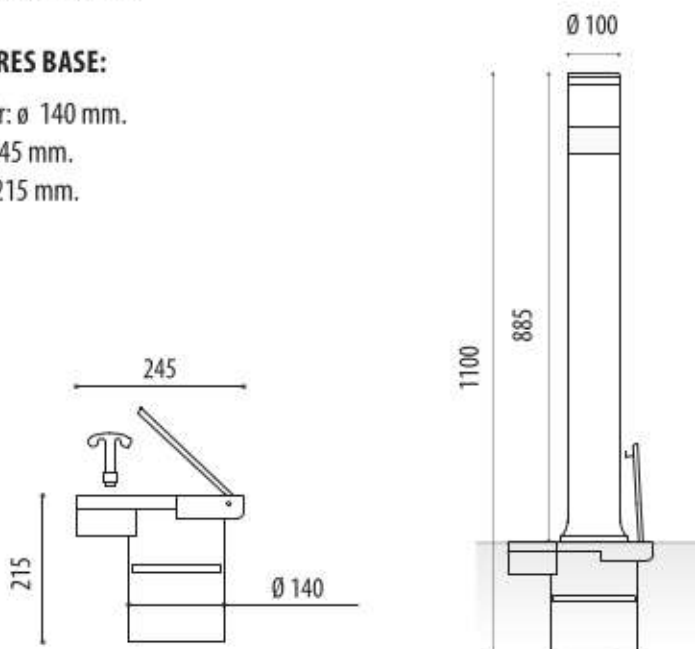
MEASURES:

Diameter: \varnothing 100 mm.
View height: 885 mm.
Total height: 1100 mm.



MEASURES BASE:

Diameter: \varnothing 140 mm.
Width: 245 mm.
Height: 215 mm.



SEMIFLEXIBLE BOLLARDS

MODELO PATENTADO
PATENTED MODEL

A-ECO LED REMOVABLE

● A-ECO BOLLARDS CERTIFICATES:

1. Certificate Applus IDIADA impact-proof bollard A-Eco head (HIC).

Applus[®]
IDIADA



Obtained result in test are less than <math><650</math>.
A-Eco is less than 380 (slight rating).

2. Certificate Applus IDIADA impact-proof bollard A-Eco body (AIS).

Applus[®]
IDIADA



Obtained results show a level of acceleration of the body which relates with a possibility of suffering from a damage is AIS3 of <math><10\%</math>.

3. Certificate CE.

CE

A-Eco bollards meet the general Directive of products in the European Community according to the norm 2001/95/CE, R.D. 1803/2003.