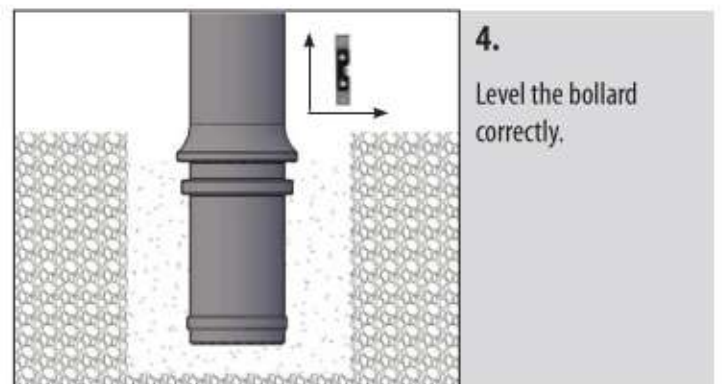
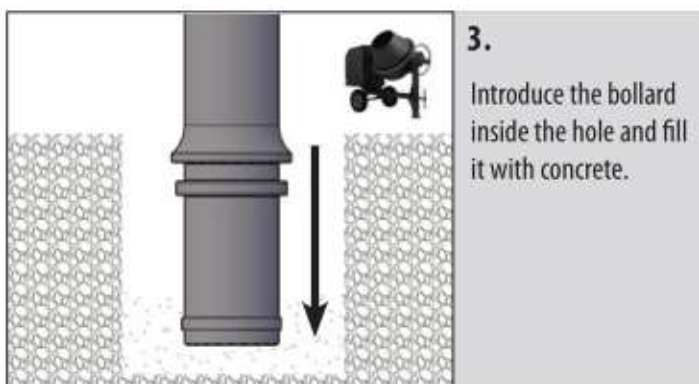
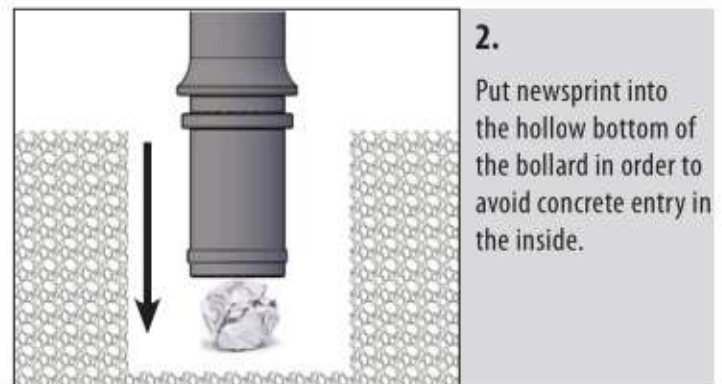
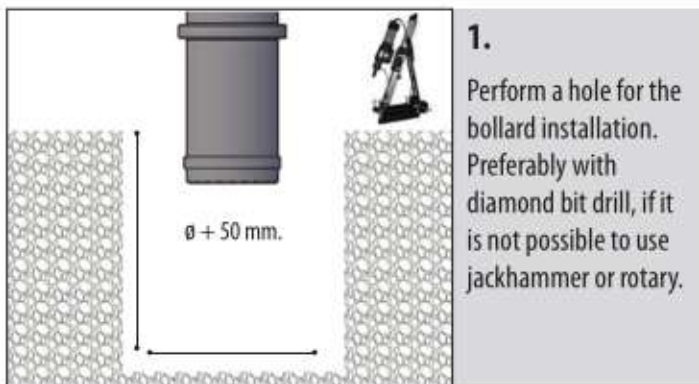
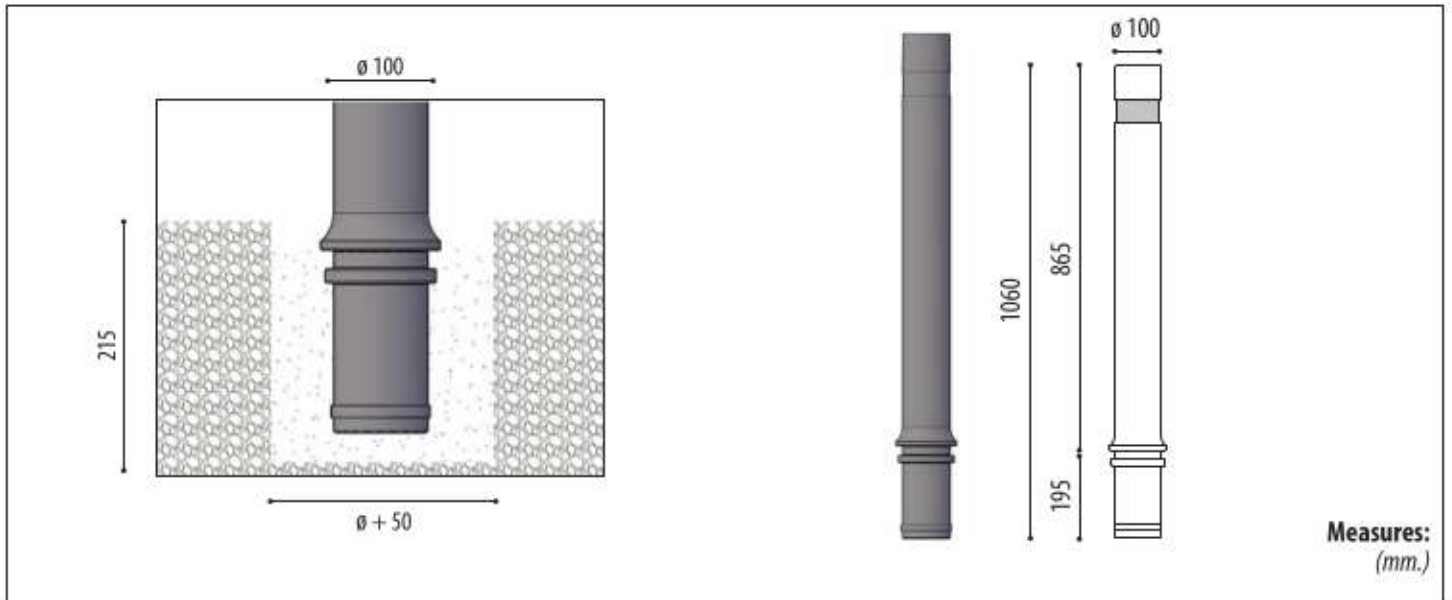


# INSTALLATION EXAMPLE

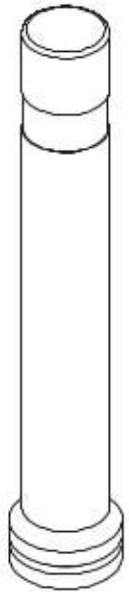
## A-FLEX / A-ECO BOLLARD



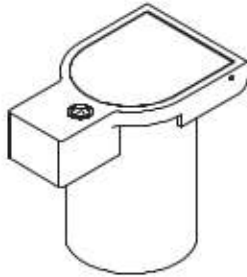
# INSTALLATION EXAMPLE

## A-FLEX / A-ECO REMOVABLE BASE BOLLARD

### ● INCLUDES:



x 1 ut.  
Bollard ø 95 mm.

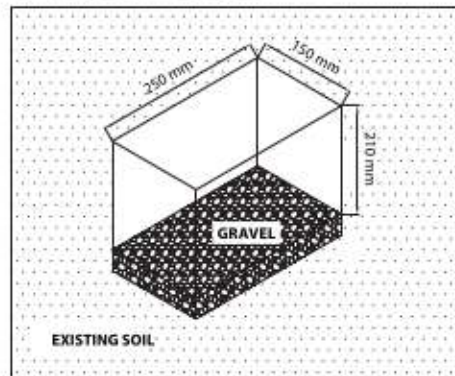


x 1 ut.  
Removable base

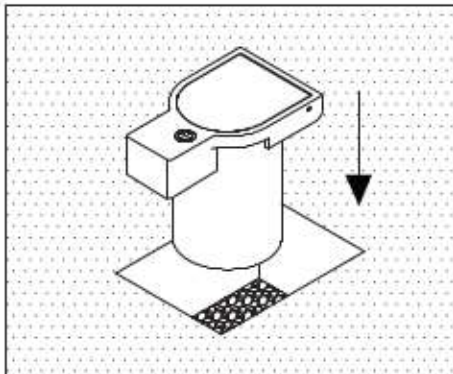


x 1 ut.  
Key

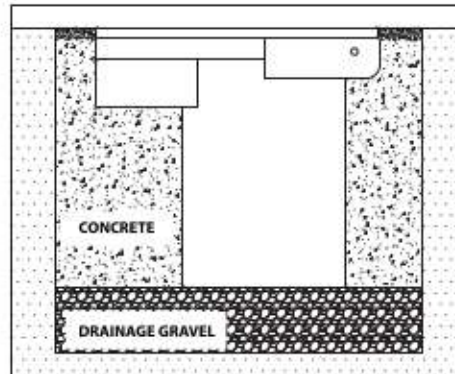
### ● INSTALLATION:



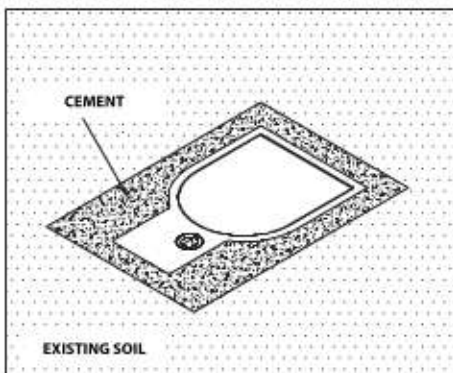
1. Perform a hole for the bollard installation. Preferably with diamond bit drill, if it is not possible to use jackhammer or rotary. Make a gravel drainage.



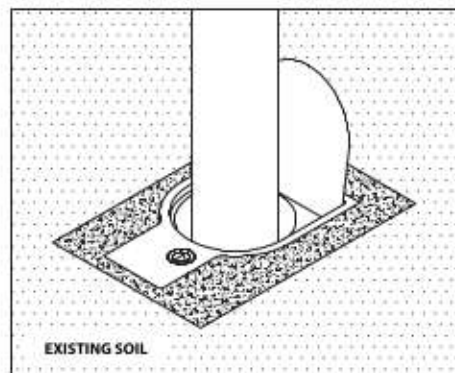
2. Put the removable base.



3. Fill the hole with concrete.



4. Level and fix the base correctly with cement.



5. Open the base with key and insert the bollard.